

# ROLLER SHUTTER Kit

**Servi** **Canto**



# ROLLER Shutter Kit

For the Kitchen, Bathroom, Home furniture, Office, Commercial installations, Contract and general decoration.



## BASIC



## MULTIEDGES



## METALLIC



## MULTIPURPOSE-BATHROOM



## XXL MADE TO MEASURE

## ROLLER Shutter Kit



### How the space is won

Our roller shutter kit program has been developed to make the most of the available space, in an elegant, versatile, easy, and bespoke form.

#### BASIC

### It is structured in five families:

- BASIC
- MULTIEDGES
- METALLIC
- MULTIPURPOSE-BATHROOM
- XXL MADE TO MEASURE



#### MULTIEDGES

### It solves all requirements for decoration and design:

- Home, from kitchen to bathroom, passing through children's and junior rooms, living and dining rooms and also study...
- Offices, a better use of space for storing, as cupboards or units under table, or with wheels...
- Commercial installations, for any kind of use or public local premises...
- Contract, Hotels, Apartments, Hospitals...
- Industrial and Assistance vehicles as Ambulances, Camping or Delivery vans.



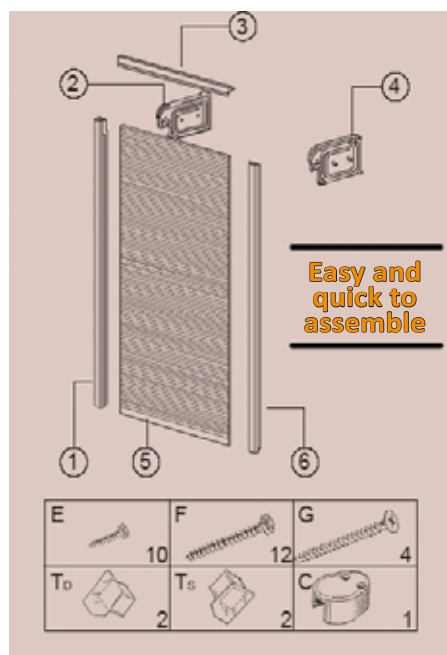
Our KIT system is quick and easy to assemble, it is installed at the front of the unit, everything you need is in the box. As we have permanent stock available, the delivery is immediate.

If you need to adapt the shutter to a bespoke measurement, you are able to do so in house.

Our independent metal band mechanism to compensate the fall of the shutter door, guarantees the correct performance and durability of the shutter our 25 years of experience confirms this.



*Mechanism to compensate the fall of the shutter*



## BASIC Shutter Kit

Permanent stock

Aesthetic, Simple, Functional, and Economical all together in the BASIC KIT.

Supplied in white or stainless steel plastic materials acceptable in all environments and offer a good solution to space problems.

Reference	Description Height x Width	Colour
06KIT 1 INOX	Shutter kit 130cm x 60cm	Inox
06KIT 2 INOX	Shutter kit 150cm x 60cm	
06KIT 3 INOX	Shutter kit 150cm x 90cm	
06KIT 2 WHITE	Shutter kit 150cm x 60cm	White
06KIT 3 WHITE	Shutter kit 150cm x 90cm	

Immediate delivery.

Designs available under request:

Beige, Blue, Cherry, Cream, Beech, Lilac, Orange, Pear, Grape fruit, Translucent blue, Translucent orange.



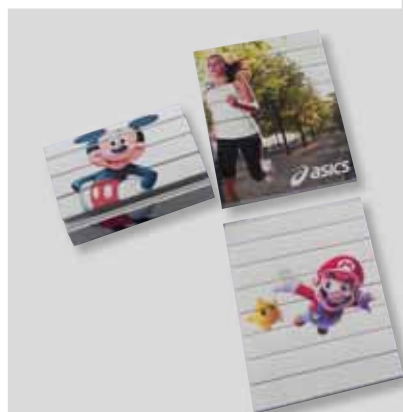
Basic Shutter colour Inox.

### NOVELTY

The Basic family has been enlarged with the addition of the WHITE SHUTTER.



You may personalize your shutter with a silk-screen print





## BASIC



The Basic shutter is supplied in kit form, which allows you to assemble the shutter to fit your needs. Further information available on request.

*Example of the application of the Basic shutter Inox in pieces in the inside decoration of a vessel.*



## MULTIEDGE Shutter Kit

### Permanent stock

A clever combination for all styles, needs and budgets.

The Multiedge Shutter can be supplied in a stainless steel structure and personalized with more than 500 colours and designs of our 1mm edges.

These can match or contrast the rest of the furniture in each room.

The possibilities are infinite.

Reference	Description	Height x Width	Colour
06KIT 4 MULTIEDGE	Shutter Kit	130cm x 60cm	Stainless Steel
06KIT 5 MULTIEDGE	Shutter Kit	150cm x 60cm	
06KIT 6 MULTIEDGE	Shutter Kit	150cm x 90cm	

Immediate delivery.








## MULTIEDGES



## METALLIC Shutter Kit

### Permanent stock



Strong and avant-garde with spectacular finish and combinations that allow the shutter to become the centre of attention or to blend into the rest of the furniture.  
 The metallic structure is available in three optional shades as below.  
 These can also be personalized with all the colours and designs of our 1mm edges.

	Reference	Description Height x Width	Colour
	06KIT7 ALUMINIUM	Shutter Kit 150 cm x 60 cm	Structure Real Aluminium Slat Aluminium
	06KIT8 ALUMINIUM	Shutter Kit 150 cm x 90 cm	
	06KIT9 MERCURY	Shutter Kit 150 cm x 60 cm	Structure Brushed Steel Steel Slat
	06KIT0 MERCURY	Shutter Kit 150 cm x 90 cm	
	06KIT11 BEBLANCA	Shutter Kit 150 cm x 60 cm	Chrome Structure White Slat
	06KIT12 BEBLANCA	Shutter Kit 150 cm x 90 cm	

Immediate delivery.

## METALLIC



	Reference	Description	Height x Width	Colour
	06KIT13 BENEGRA	Shutter Kit	150 cm x 60 cm	Chrome Structure Black Slat
	06KIT14 BENEGRA	Shutter Kit	150 cm x 90 cm	
	06KIT15 BEGLOSS	Shutter Kit	150 cm x 60 cm	Chrome Structure Translucent 3D Slat
	06KIT16 BEGLOSS	Shutter Kit	150 cm x 90 cm	

Immediate delivery.

**METALLIC**





# METALLIC



## MULTIPURPOSE-BATHROOM Shutter Kit

### Permanent stock

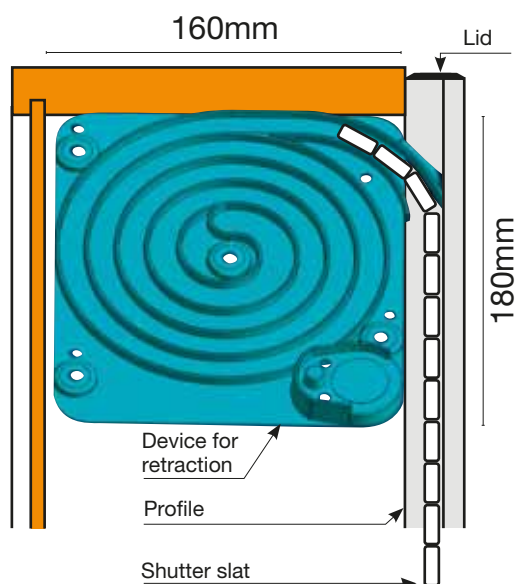
Suitable to make the most of small, unusual or unexpected spaces, to make the most of small-sized Bathroom, as it can be installed in a 160 mm of free depth.

Of metallic structure and translucent 3D slats, the Multipurpose-Bathroom range has at its disposal the whole 1 mm catalogue, to add the personal touch to each piece of furniture.

Reference	Description	Height x Width	Colour
06KIT 20 MULTIPURPOSE	Shutter Kit 90cm x 40cm		Chrome Structure Translucent 3D Slat
06KIT 21 MULTIPURPOSE	Shutter Kit 90cm x 60cm		
06KIT 22 MULTIPURPOSE	Shutter Kit 130cm x 40cm		
06KIT 23 MULTIPURPOSE	Shutter Kit 130cm x 60cm		

Immediate delivery.

*Reduced retracting system.*





## MULTIPURPOSE-BATHROOM



## XXL MADE TO MEASURE Shutter Kit

Our made to measure, XXL has been developed to front any space or hollow especially if it is a large one, as it is the pre-assembled the Roll-Box system that controls the slide of the shutter by means of an adjustable tension axis.

Of metallic structure with three different finishes: aluminium, steel or chrome and choice of the slat in three colours, aluminium, steel or translucent 3D, always with the possibility to personalize it.

Reference **06KIT30XXL**



Pre-assembled Roll-Box Kit

You may personalize your shutter with more than 500 colours and designs, check with our 1 mm edge's catalogue.

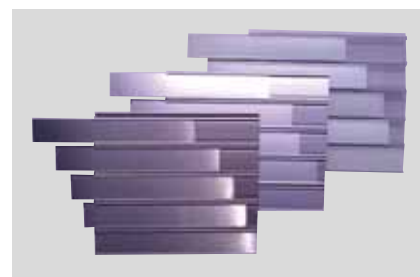
We can manufacture the shutter up to a maximum of 150 cm Height and 150 cm Width. Please check the price and the delivery date.



Three different finish of the structure.



More than 500 different colours and designs.



Slats in three colours.



## XXL MADE TO MEASURE



Order confirmation page for the customer N04 to be photocopied and sent

Mark the different boxes with a cross or with the requested information.

**PRE-ASSEMBLED shutter roll-box system**

ORDER No.  DATE

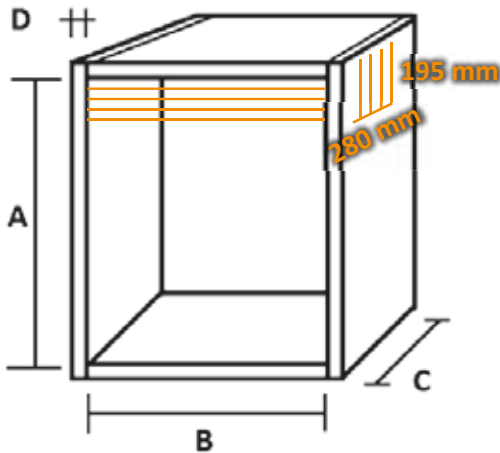
SALESMAN

Information of the CUSTOMER

SHUTTER KIT Ref.	<b>06KIT30XXL</b>	OPENING of the shutter	<b>VERTICAL</b>	A: Maximum Height 1500mm. B: Maximum Width 1500mm
			<b>HORIZONTAL</b>	A: Maximum Height 700mm. B: Maximum Width 1500mm.

**DESCRIPTION OF THE SHUTTER:**

Metallic front profile with a large rectangular section. Counterbalance of the slide of the slat, by means of an axis of rotation to adjust the tension. Pre-assembled shutter with the roll-box system.



**COMPOSITION OF THE SHUTTER:**

REF. of the EDGE :

COLOUR of the structure: **CHROME**  
**MERCURY-STEEL**  
**ALUMINIUM**

COLOUR of the SLAT: **TRANSLUCENT 3D**  
**ALUMINIUM**  
**MERCURY-STEEL**

**INTERIOR MEASURES (in mm.)**

Maximum Height 1500mm. **A:**

Maximum Width 1500mm. **B:**

Maximum interior Depth 280mm. **C:**

Thickness of the lateral-vertical board in mm. **D:**

**DELIVERY DELAY:** Approximately 1 month since the date of confirmation of the client.

AGREEMENT:			
DELIVERY DATE	PRICE PER UNIT €	CLIENT	SERVICANTO
		Signature and Seal	



Seguimos innovando



**Servi Canto**

Pol. Ind. Can Illa - C/ Pompeu Fabra, 16-18

08530 - La Garriga (Barcelona)

SPAIN

Tel. (+34) 93 871 55 05

Fax (+34) 93 871 74 94

[pedidos@servicanto.com](mailto:pedidos@servicanto.com)